



Aluminum Linear Ceiling







DESCRIPTION

TOPTIDE/Ceillex Aluminum Linear Ceilings have many different types of systems with numerous specifications. No matter which type to use, it gives you a strong sense of continuity and line, with an obvious effect of visual guidance. Various linear heights and spacing distances make the whole ceiling system more open & three-dimensional, which presents modern styles.

This type of linear ceilings is strongly adapted to the space no matter big area of public transportation stations, exhibition halls & supermarkets, or small area of office buildings and living houses. Except interior decoration, it also can be widely used for outdoors with special windproof structures.



China A1

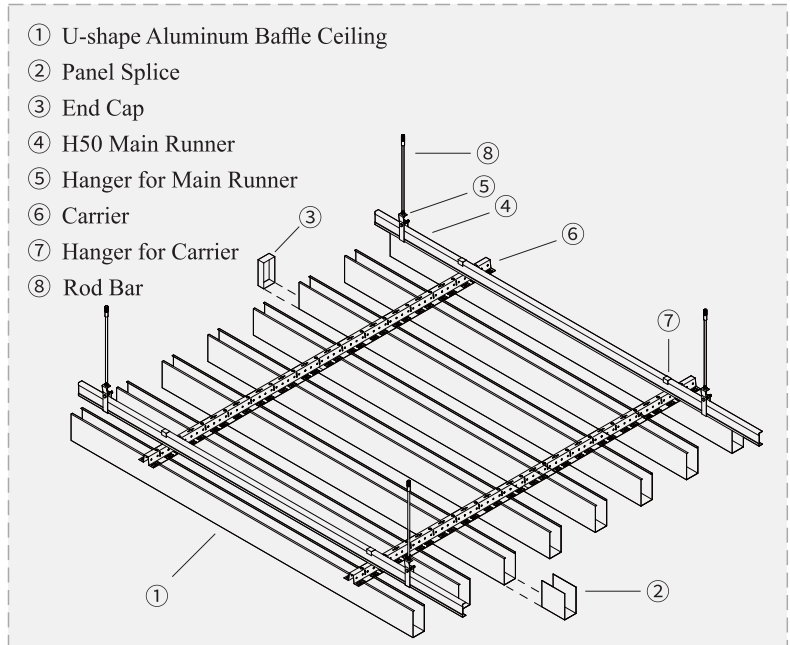


NRC up to 0.95

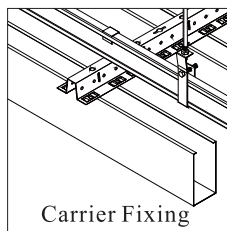
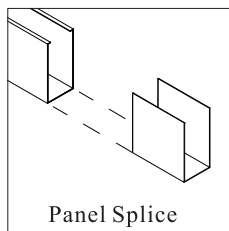
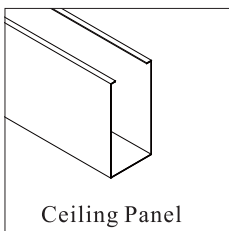


U-SHAPE ALUMINUM BAFFLE CEILING

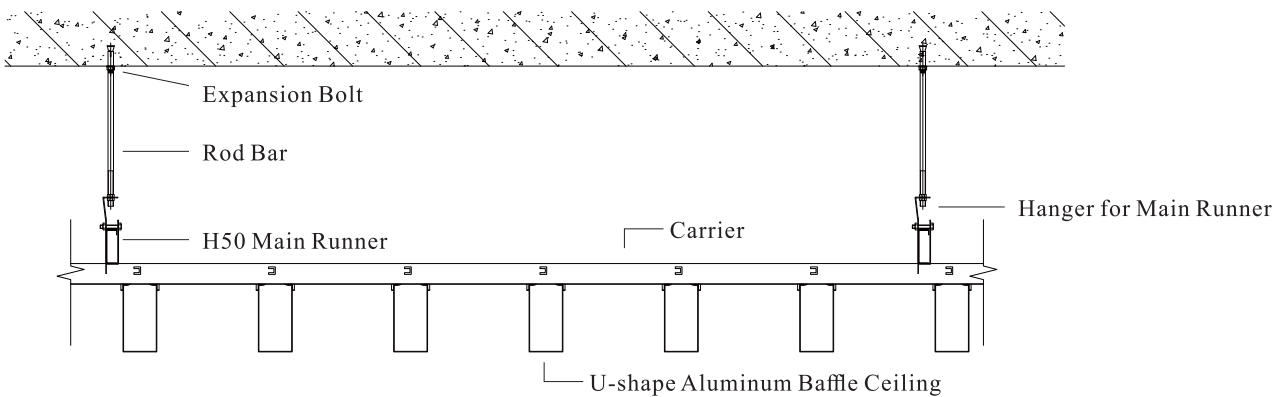
SUSPENSION SYSTEM



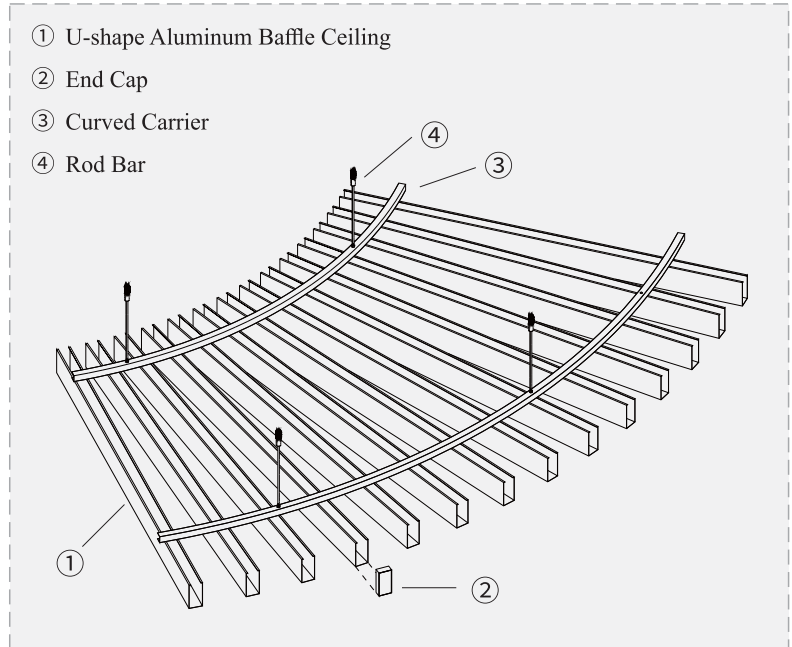
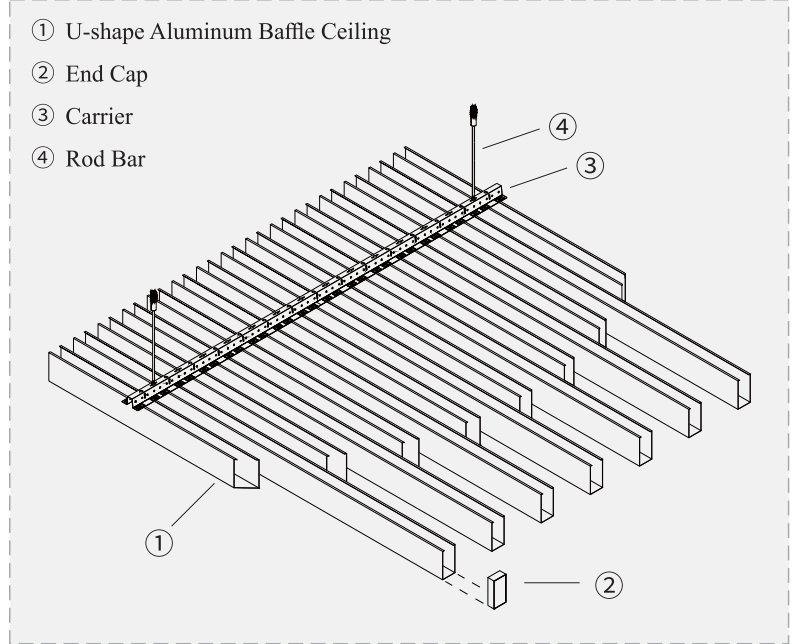
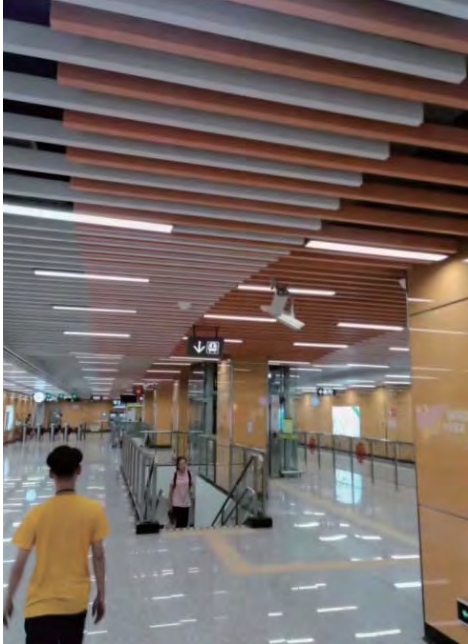
DETAILED DRAWINGS



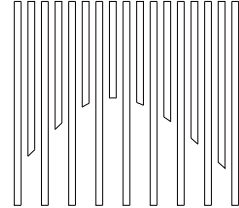
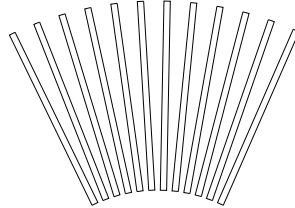
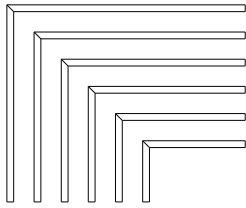
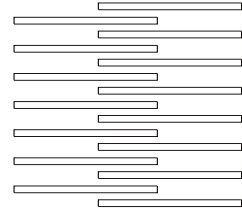
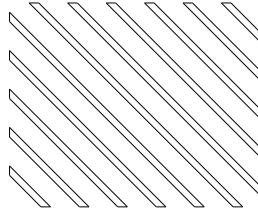
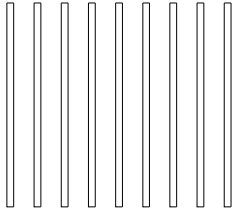
CONSTRUCTION DETAILS



SUSPENSION SYSTEM



CEILING LAYOUT



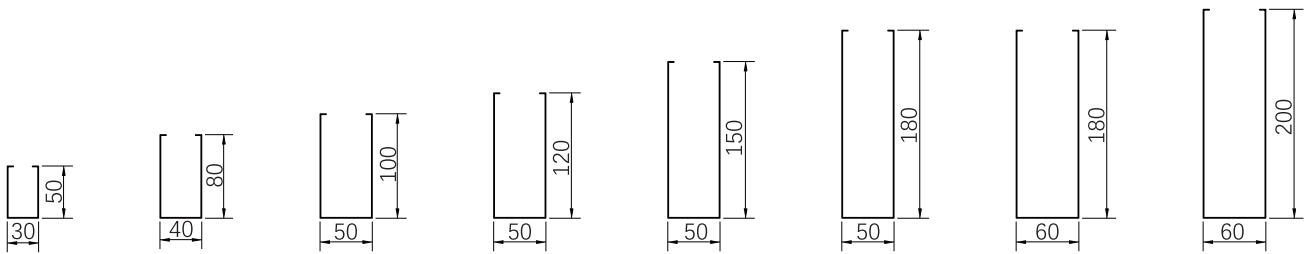
PRODUCT DATA

Material: Aluminum Alloy (Galvanized Steel Available if Needed)

Surface Treatment: Powder Coating, PE/PVDF Finish, Heat Transfer Printing, Interior Film, Wood Veneer

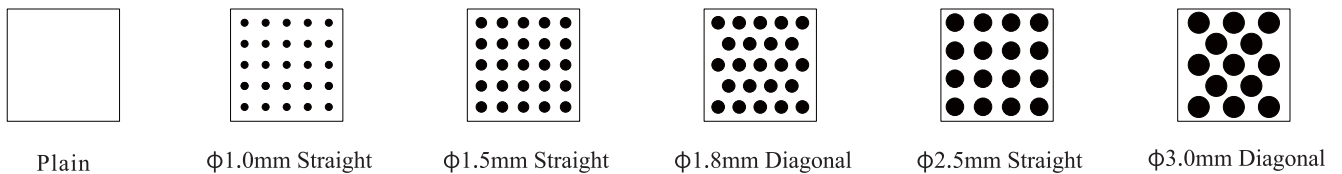
Normal Specifications: Thickness 0.6–3.0mm Length ≤ 6000mm

Typical Sizes:



•Customized Specifications are Available.

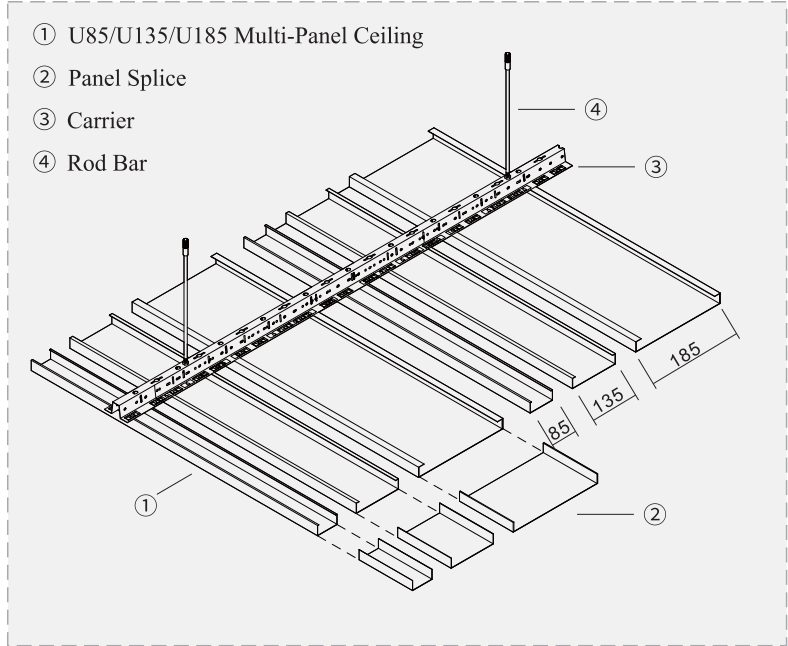
Normal Perforations:



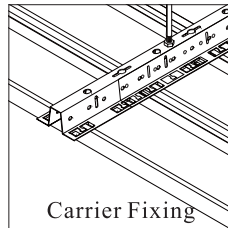
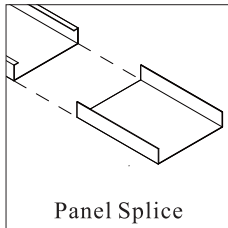
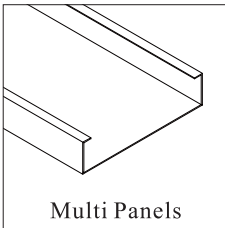


U85/U135/U185 MULTI-PANEL CEILING

SUSPENSION SYSTEM



DETAILED DRAWINGS



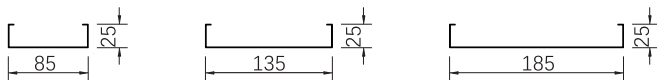
PRODUCT DATA

Material: Aluminum Alloy (Galvanized Steel Available if Needed)

Surface Treatment: Powder Coating, PE/PVDF Finish, Heat Transfer Printing, Interior Film, Wood Veneer

Specifications: Thickness 0.5–0.8mm Length ≤ 6000mm

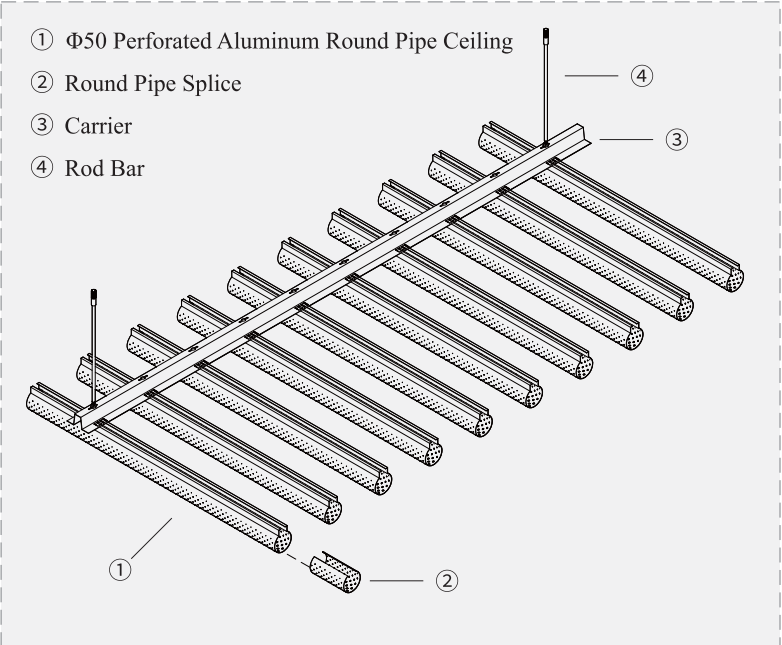
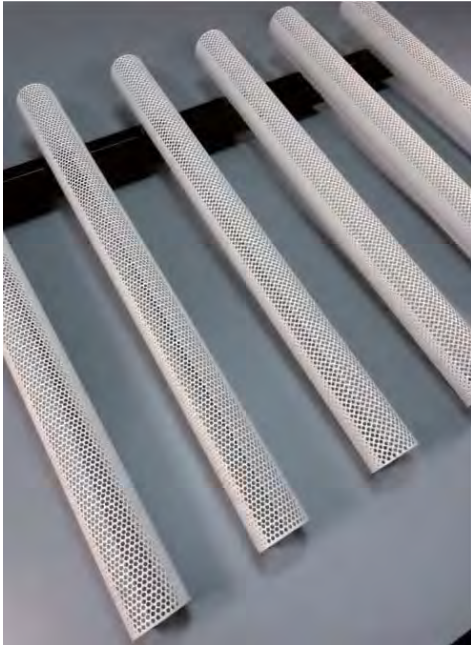
Typical Sizes:



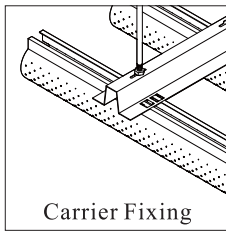
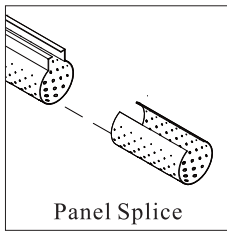
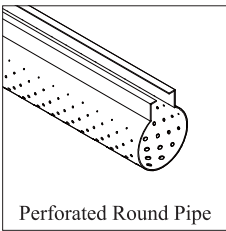
•Customized Specifications are Available.

Φ50 PERFORATED ALUMINUM ROUND PIPE CEILING

SUSPENSION SYSTEM

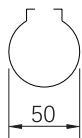


DETAILED DRAWINGS



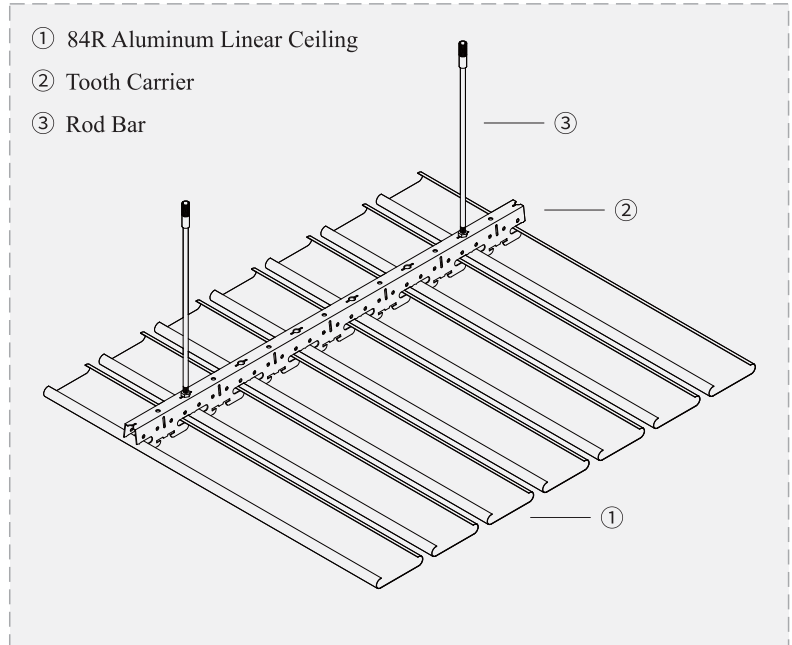
PRODUCT DATA

Material: Aluminum Alloy
 Surface Treatment: Powder Coating, PE/PVDF Finish, Heat Transfer Printing, Interior Film, Wood Veneer
 Specifications: Thickness 0.7–1.0mm Length ≤ 6000mm
 Typical Sizes:

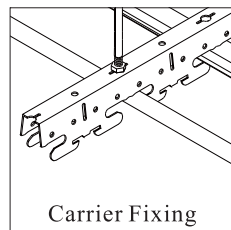


84R ALUMINUM LINEAR CEILING

SUSPENSION SYSTEM



DETAILED DRAWINGS



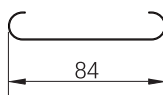
PRODUCT DATA

Material: Aluminum Alloy

Surface Treatment: Powder Coating, PE/PVDF Finish, Heat Transfer Printing, Interior Film, Wood Veneer

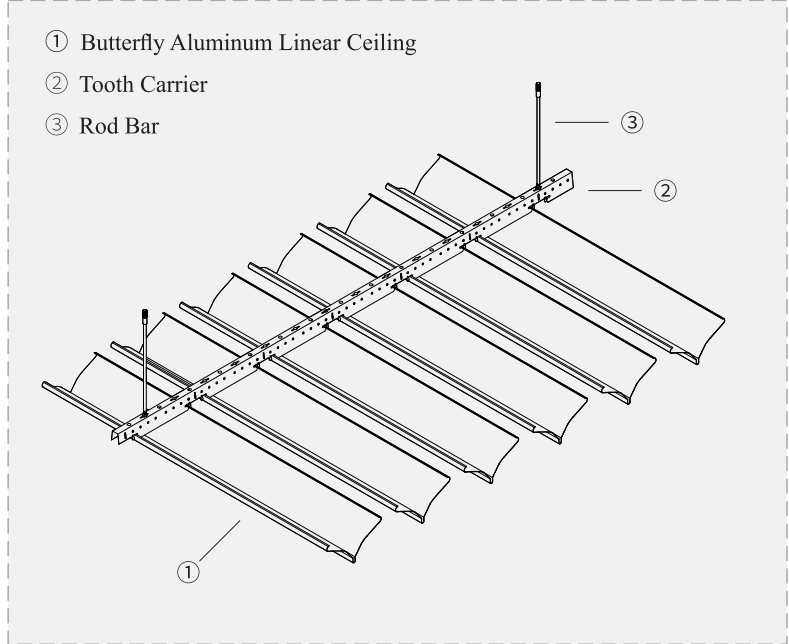
Specifications: Thickness 0.5–0.8mm Length ≤ 6000mm

Typical Sizes:

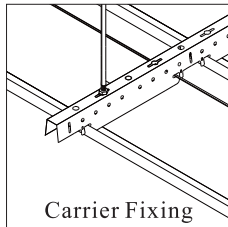
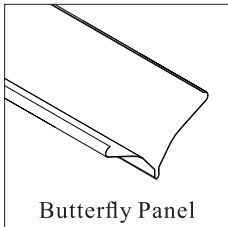


BUTTERFLY ALUMINUM LINEAR CEILING

SUSPENSION SYSTEM



DETAILED DRAWINGS



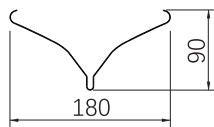
PRODUCT DATA

Material: Aluminum Alloy

Surface Treatment: Powder Coating, PE/PVDF Finish, Heat Transfer Printing, Interior Film, Wood Veneer

Specifications: Thickness 0.6-0.8mm Length ≤ 6000mm

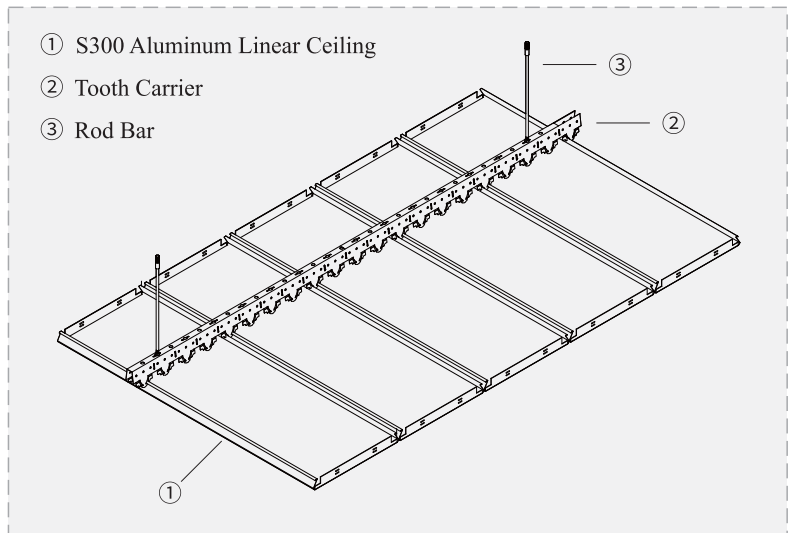
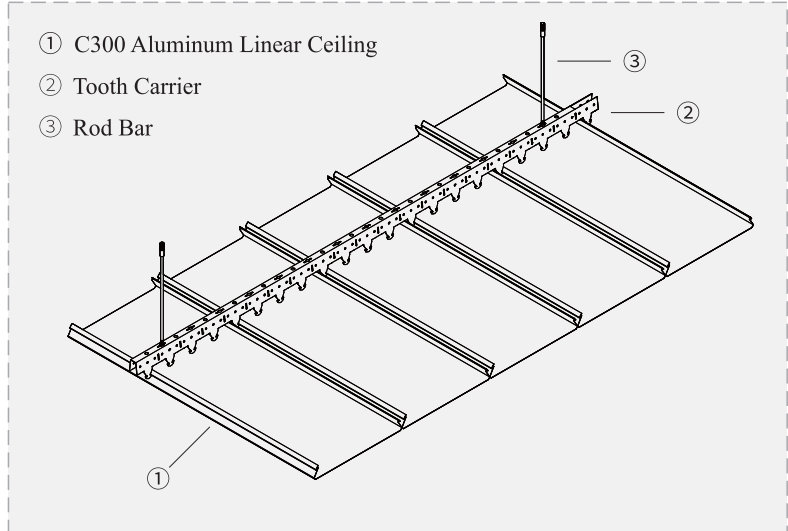
Typical Sizes:



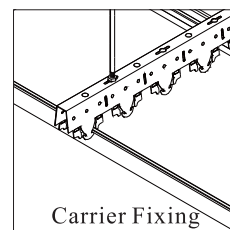
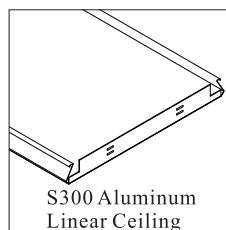
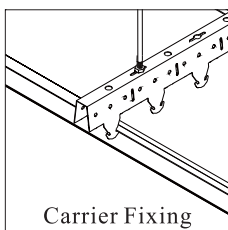


C300/S300 ALUMINUM LINEAR CEILING

SUSPENSION SYSTEM



DETAILED DRAWINGS



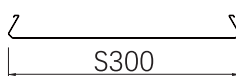
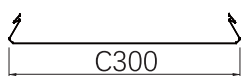
PRODUCT DATA

Material: Aluminum Alloy

Surface Treatment: Powder Coating, PE/PVDF Finish, Heat Transfer Printing, Interior Film, Wood Veneer

Specifications: Thickness 0.7–1.0mm Length ≤ 6000mm

Typical Sizes:



COLORS

Various colors and shadows as below for choice, and customized colors are available too.
(Due to printing limitation, color may vary from actual product)

STANDARD COLORS



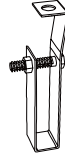
WOOD GRAIN(Interior Film, Heat Transfer, Wood Veneer)



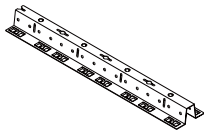
ACCESSORIES



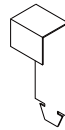
H50 Main Runner
Material: Galvanized Steel
Size: L=3000mm



Hanger for Main Runner
Material: Galvanized Steel



Carrier
Material: Galvanized Steel
Size: L=3000mm



Hanger for Carrier
Material: Galvanized Steel



Expansion Bolt
Material: Galvanized Steel
Size: M8 × 30mm



Rod Bar
Material: Galvanized Steel
Size: M8 × 3000mm

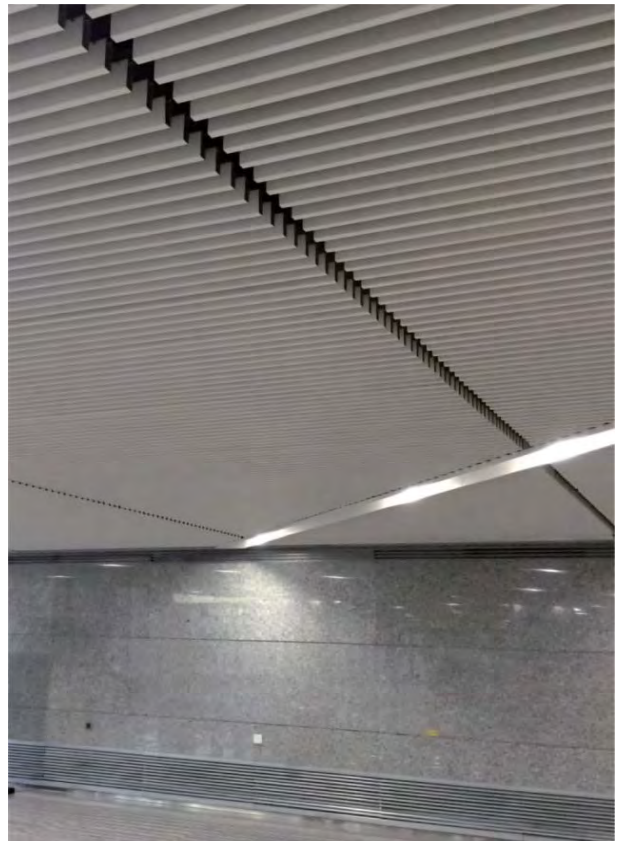


Flanged Nut
Material: Galvanized Steel
Size: M8

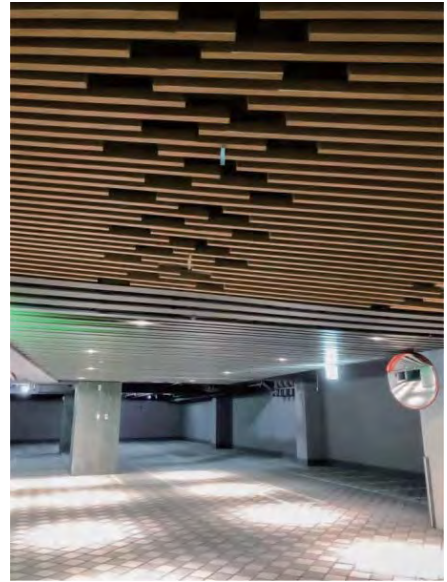


Linear Lighting
Size: W150, W300mm

PROJECT CASES



PROJECT CASES





株式会社 シーレックス・ジャパン

〒225-0002

神奈川県横浜市青葉区美しが丘 3-55-2

Tel: 045-909-1515 Fax: 045-909-5012

E-mail: mail@ceillex.co.jp URL: www.ceillex.co.jp

