



Metal Composite Ceiling







DESCRIPTION

TOPTIDE/Ceillex Metal Composite Ceilings are made from 2-layer aluminum corrugation panel, 3-layer aluminum honeycomb panel, steel honeycomb panel or stainless steel honeycomb panel, which are always in big sizes and various shapes. This kind of ceilings has features of light, high strength and evenness, as well as fireproof, a certain effect of sound insulation, thermal insulation and anti-seismic. With mature suspending structures, we can quickly install those large ceiling panels in the airport, conference hall, exhibition gallery, lobby and other big public areas. Big sizes make the ceilings looking more magnificent and impressive. Moreover, metal composite ceilings are recycled for energy conservation and environment protection.



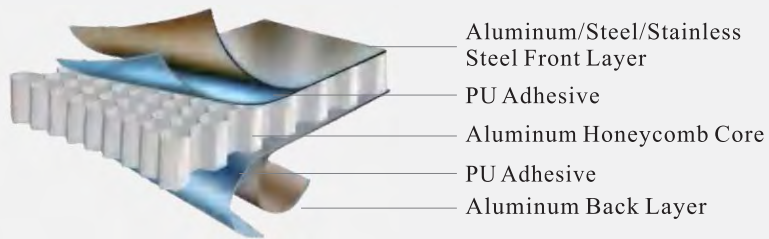
China A1



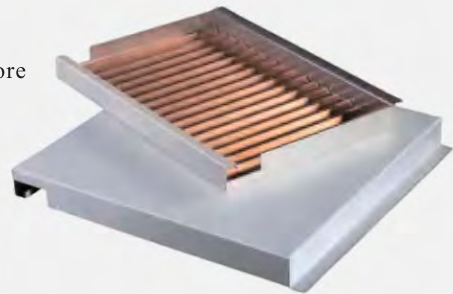
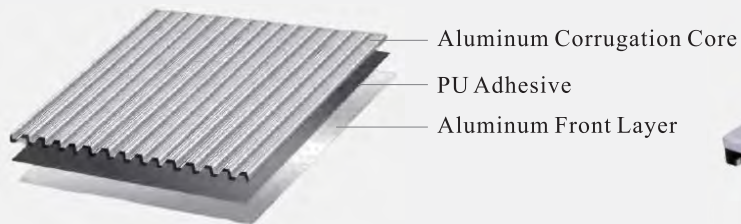
NRC up to 0.95



HONEYCOMB PANEL STRUCTURE



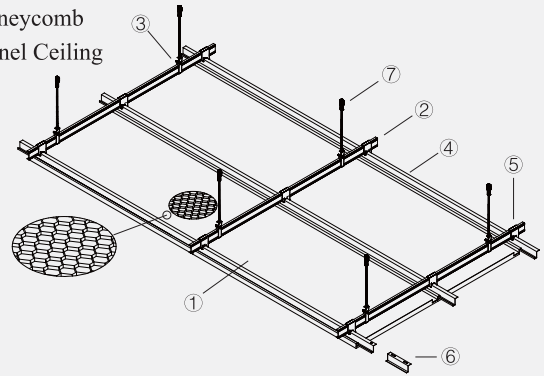
CORRUGATION PANEL STRUCTURE



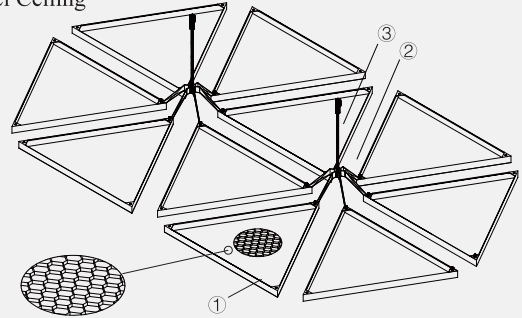
SUSPENSION SYSTEM



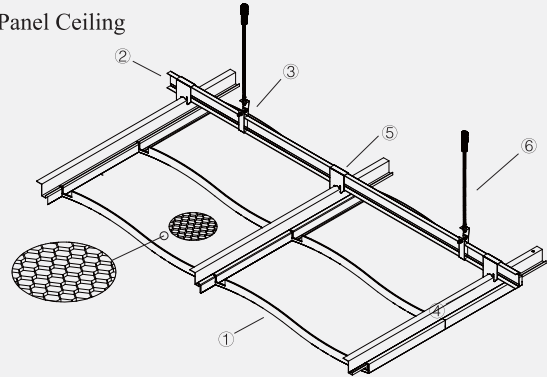
- ① Aluminum/Steel/Stainless Steel Honeycomb Panel or Aluminum Corrugation Panel Ceiling
- ② H50 Main Runner
- ③ Hanger for Main Runner
- ④ H50 Hook-on Carrier
- ⑤ Hanger for Carrier
- ⑥ Carrier Splice
- ⑦ Rod Bar



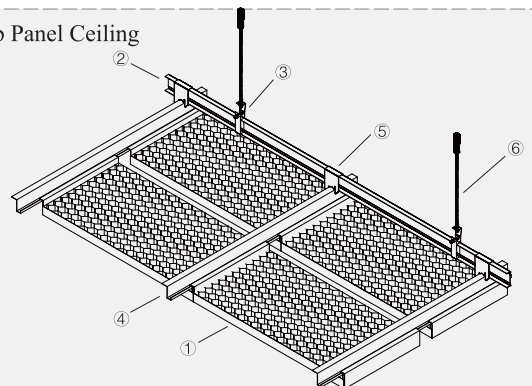
- ① Triangle Aluminum/Steel/Stainless Steel Honeycomb Panel or Aluminum Corrugation Panel Ceiling
- ② Particular Claw
- ③ Rod Bar



- ① Curved Aluminum Honeycomb Panel Ceiling
- ② H50 Main Runner
- ③ Hanger for Main Runner
- ④ H50 Hook-on Carrier
- ⑤ Hanger for Carrier
- ⑥ Rod Bar



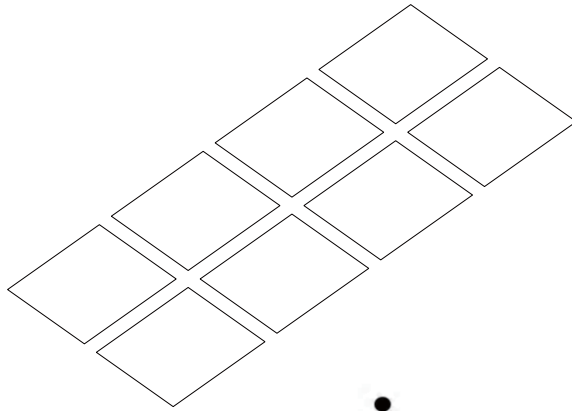
- ① Perforated Aluminum Honeycomb Panel Ceiling
- ② H50 Main Runner
- ③ Hanger for Main Runner
- ④ H50 Hook-on Carrier
- ⑤ Hanger for Carrier
- ⑥ Rod Bar



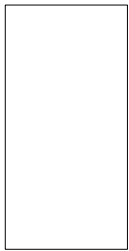
CEILING LAYOUT



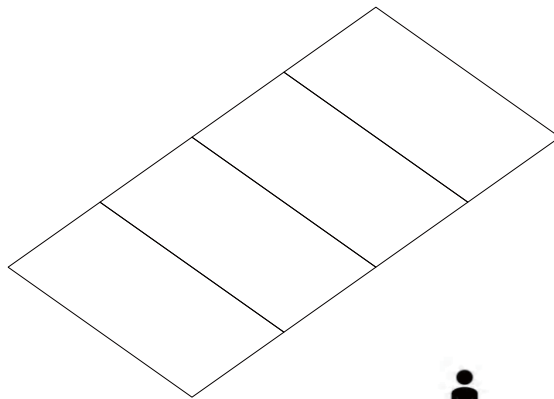
Ceiling Shape: Square



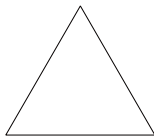
Upward View



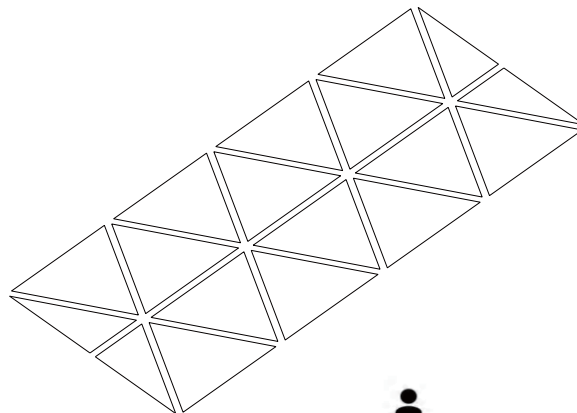
Ceiling Shape: Rectangle



Upward View

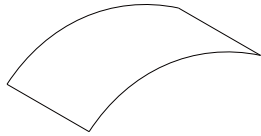


Ceiling Shape: Triangle

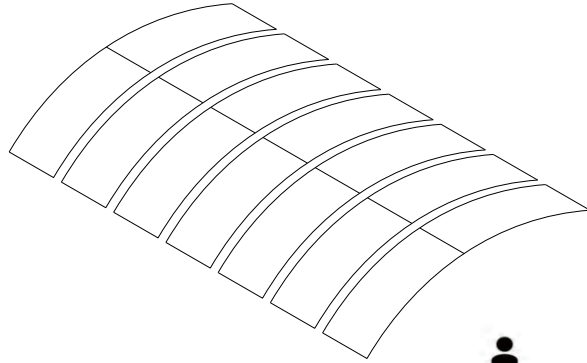


Upward View

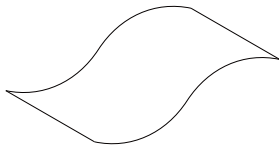
CEILING LAYOUT



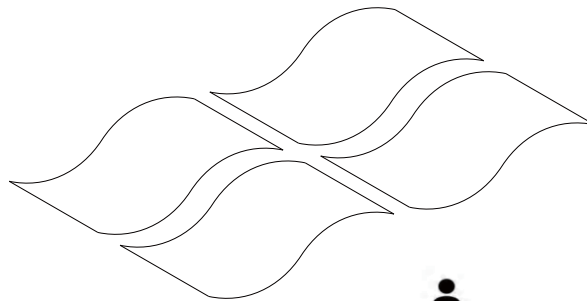
Ceiling Shape: Convex Curved



Upward View



Ceiling Shape: S Curved



Upward View

PRODUCT DATA

Material: Aluminum, Steel, Stainless Steel

Specifications:

Honeycomb Panel

Thickness: 12mm, 15mm, 20mm, 25mm, 30mm

Width: ≤1400mm Length: ≤4800mm

Corrugation Panel

Front Layer Thickness: 1.0mm, 1.2mm

Corrugation Core: 0.25mm thick, 8mm high

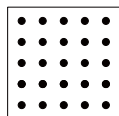
Width: ≤1200mm Length: ≤3200mm

Surface Treatment: Powder Coating, PE/PVDF Paint, PE/PVDF Pre-coated, Heat Transfer Printing, Interior Film, Wood Veneer, Anodizing

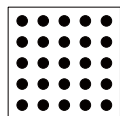
Normal Perforations:



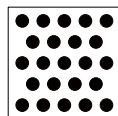
Plain



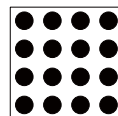
φ1.0mm Straight



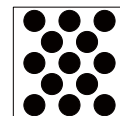
φ1.5mm Straight



φ1.8mm Diagonal



φ2.5mm Straight

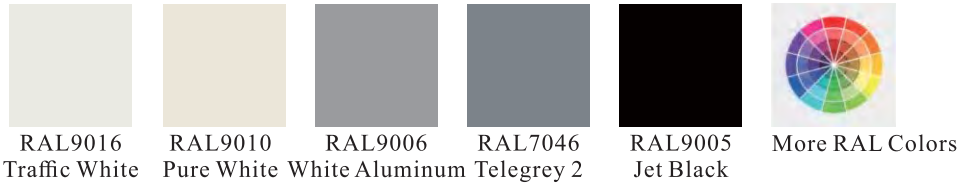


φ3.0mm Diagonal

COLORS

Various colors and shadows as below for choice, and customized colors are available too.
 (Due to printing limitation, color may vary from actual product)

STANDARD COLORS



SPECIAL COLORS



WOOD GRAIN (Heat Transfer Printing, PE Pre-coated, Interior Film, Wood Veneer)



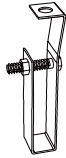
ACCESSORIES



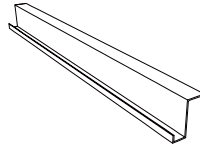
L-shaped Wall Angle
Material: Aluminum Alloy
Size: 25×25×3000mm



H50 Main Runner
Material: Galvanized Steel
Size: L=3000mm



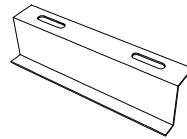
Hanger for Main Runner
Material: Galvanized Steel



H50 Hook-on Carrier
Material: Galvanized Steel
Size: L=3000mm



Hanger for Carrier
Material: Galvanized Steel



H50 Hook-on Carrier Splice
Material: Galvanized Steel
Size: L=150mm



Expansion Bolt
Material: Galvanized Steel
Size: M8×30mm



Rod Bar
Material: Galvanized Steel
Size: M8×3000mm



Flanged Nut
Material: Galvanized Steel
Size: M8

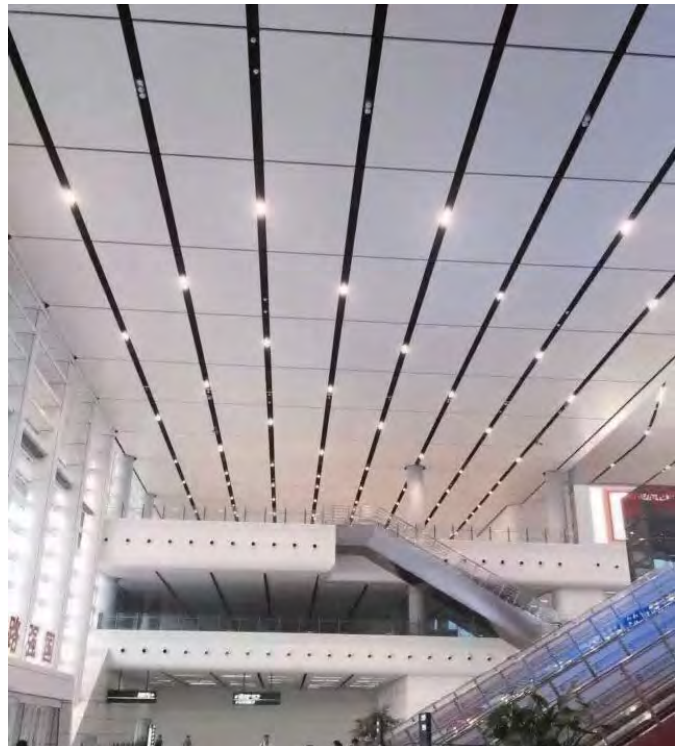


Linear Lighting

For different spaces, we've a full set of mature construction system. It's firm & safe, and easy to install. Lightings and air conditioners are recommended to fit ceilings, and to be one part of ceiling systems.



PROJECT CASES



PROJECT CASES





株式会社 シーレックス・ジャパン

〒225-0002

神奈川県横浜市青葉区美しが丘 3-55-2

Tel: 045-909-1515 Fax: 045-909-5012

E-mail: mail@ceillex.co.jp URL: www.ceillex.co.jp

